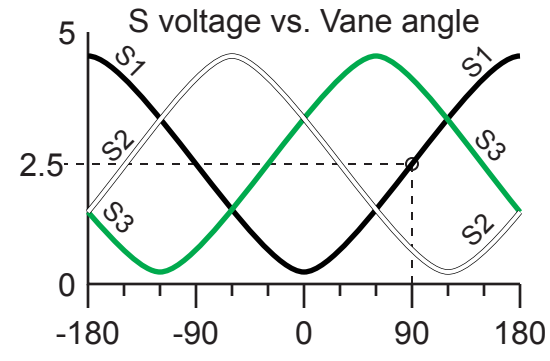
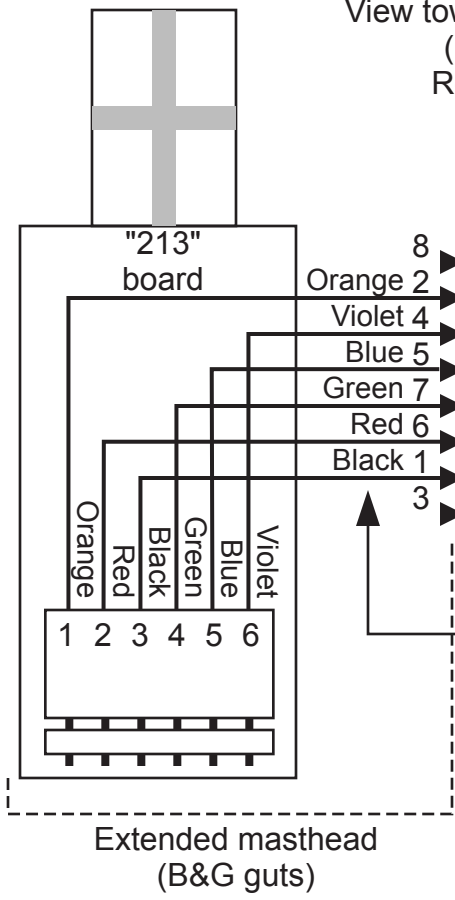
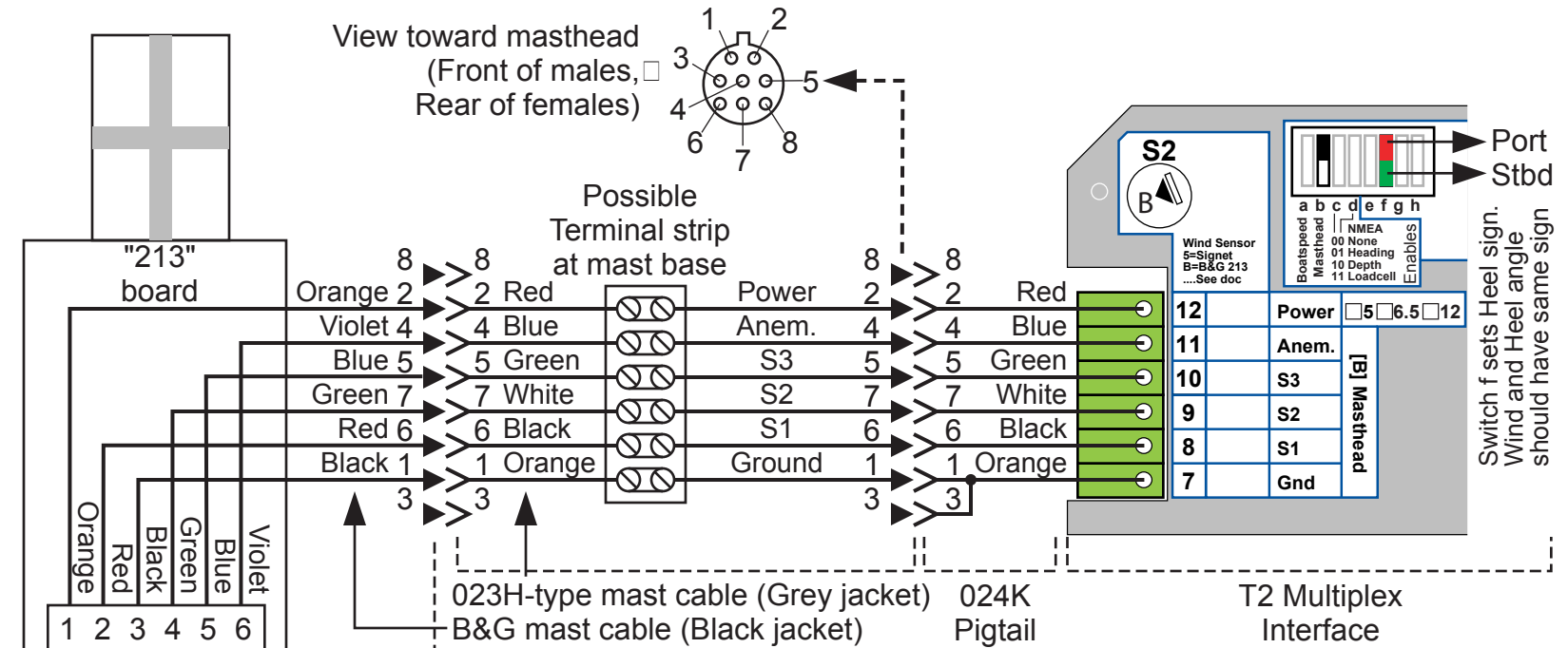


# Connecting a B&G-type extended masthead to an Ockam System T2 Multiplex Interface



# Connecting an extended masthead to an Ockam System 022 (Black) interface

